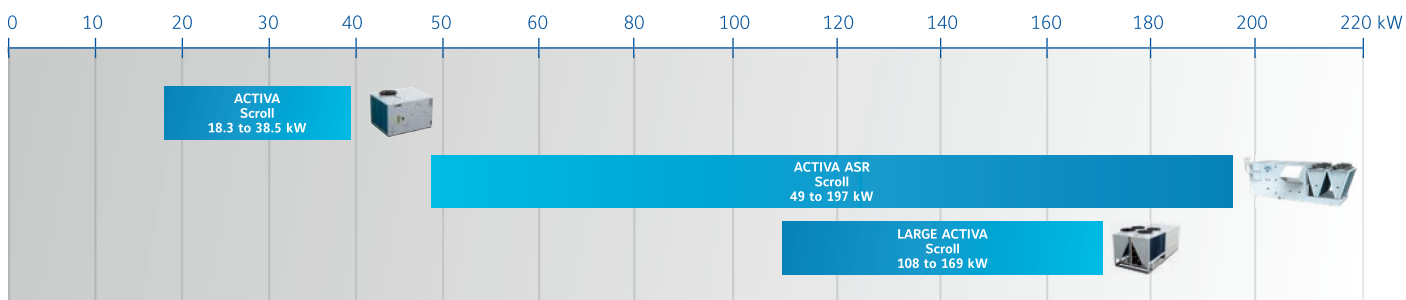




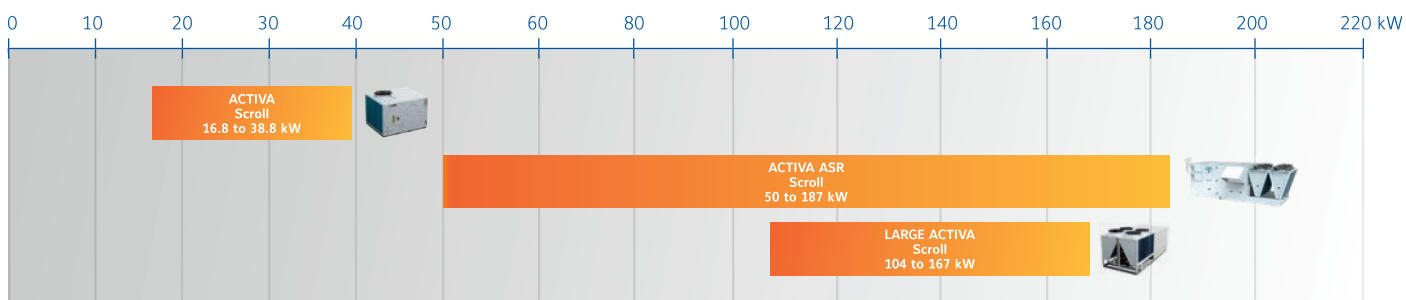
Rooftop Equipment

YORK offers a complete range of rooftop equipments within **18 kW to 194 kW capacities**, to cover all customer needs, maintaining the highest efficiency levels and operative performances.

YORK Rooftop Cooling Only Units



YORK Rooftop Heat Pump Units



Three different Energy Recovery systems with the new ASR Rooftop range

RECO system recovery Economiser with 3 dampers

The factory-mounted economiser with 3 dampers, is equipped with an EC plug fan return fan as a standard. The economiser increases the partial load operation of the compressors and improves the seasonal efficiency thanks to a proportional-action control function.

The economiser with 3 combined dampers, with proportional modulation of the outdoor-recycled-extracted air allows an extraction up to 100% of the total air flow (in equivalent quantity to the intake of outdoor air).

It provides real energy savings by regulating the air renewal.

TRECO system recovery Thermodynamic Energy Recovery

This option is available only on the ASR rooftop equipped with 3 dampers (not compatible with the FRECO system).

This thermodynamic system for recovering energy between the exhaust air and fresh air is delivered entirely mounted and factory tested.

It is composed of an independent refrigeration circuit and a dedicated control.

FRECO system recovery From the food refrigeration system

The ASR rooftop provided with a FRECO system uses the heat generated by the condensers of the refrigeration systems of a supermarket as a free source of heat.

The refrigerated cabinets of the store extract heat on a water loop. A water/water chiller transfers that heat on a secondary water loop.

In standard, that heat is removed by a dry-cooler.

The FRECO coil enables to valorize that heat for thermal comfort application and it will moderate the use of the ASR rooftop thermodynamic circuit.

ACTIVA Rooftop

ARC-ARG-ARH-ARD

A complete range from 18.3 kW up to 38.5 kW

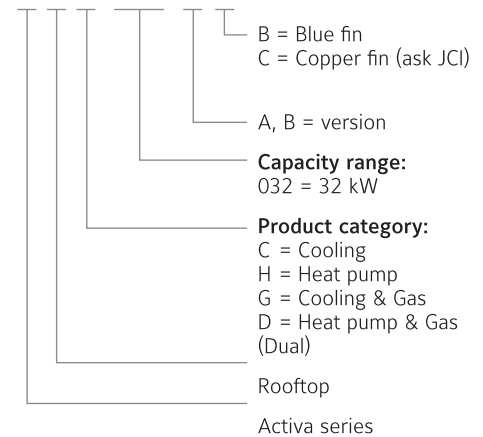


YKN2open

Features

- High efficiency EER and COP
- Ecodesign ErP 2018 compliant
- Low noise level
- EC supply fan
- All configurations: Cooling only, Cooling + gas, Heating, Heating + Gas
- BMS connection as standard (N2Open protocol)
- Compact design
- Energy recovery (enthalpy wheel)
- External HP & LP access
- Filters G4, F6 & F7 available

A R C 032 A B Nomenclature



ACTIVA Rooftop

ARC-ARG-ARH-ARD 017 to 040 AB/BB



Technical features

Cooling only models		ARC 017 AB	ARC 022 AB	ARC 032 AB	ARC 040 AB	
Net cooling capacities	kW	18.3	22.3	31	38.5	
Power input	kW	5.3	7.0	8.67	14.1	
SEER		3.82	3.85	4.06	3.93	
$\eta_{s,c}$		149.6	151.1	159.4	154	
Working range (full load / partial load)	°C	7°C ~ 46°C / -10°C ~ 52°C				
Heat pump models		ARH 017 BB	ARH 022 BB	ARH 032 AB	ARH 040 AB	
Net cooling capacities	kW	18.3	22.3	31	38.5	
Power input in cooling	kW	5.3	7.0	8.67	14.1	
Heating capacities (1)	kW	16.8	22.1	31.4	38.8	
Power input in heating	kW	4.7	5.9	8.72	11.8	
SCOP		3.23	3.24	3.27	3.20	
$\eta_{s,h}$		126	127	128	125	
Working range (full load / partial load)	°C	-10°C ~ 46°C / -10°C ~ 52°C				
Cooling only + Gas heating models		ARG 017 AB	ARG 022 AB	ARG 032 AB	ARG 040 AB	
Net cooling capacities	kW	18.3	22.3	31	38.5	
Cooling power input	kW	5.3	7.0	8.67	14.1	
Standard Heating capacities (1) NET	kW	23	23	41	41	
Natural gas 2ND-H, G20	m ³ /h	2.5	2.5	4.5	4.5	
Working range (full load / partial load)	°C	-15°C ~ 46°C / -15°C ~ 52°C				
Heat pump + Gas heating models		ARD 017 BB	ARD 022 BB	ARD 032 AB	ARD 040 AB	
Net cooling capacities	kW	18.3	22.3	31	38.5	
Power input in cooling	kW	5.3	7.0	8.67	14.1	
Heating capacities (1)	kW	16.8	22.1	31.4	38.8	
Power input in heating	kW	4.7	5.9	8.72	11.8	
Standard Heating capacities (1) NET	kW	23	23	41	41	
Natural gas 2ND-H, G20	m ³ /h	2.5	2.5	4.5	4.5	
Working range (full load / partial load)	°C	-15°C ~ 46°C / -15°C ~ 52°C				
Common characteristics						
Power supply		400V/3 + N/ 50Hz				
Main switch	A	20	25	40	50	
Main cable	Nbr. x mm ²	5 x 4	5 x 6	5 x 10	5 x 16	
Cable to thermostat	Nbr. x mm ²	10 x 0.22				
Number of circuits / Compressor type		1 / 1 x Scroll		1 (Tandem) / 2 x Scroll		
Evaporator fan at nominal airflow	Airflow	m ³ /h	3400	4300	5700	7400
	ASP	Pa	600	600	600	600
Nett dimensions	Height	mm	1 420	1 420	1 420	1 420
	Length	mm	1 866	1 866	2 135	2 135
	Depth	mm	1 540	1 540	1 850	1 850
Nett weight ARC / ARG	kg	420 / 462	440 / 482	581 / 642	585 / 646	
Nett weight ARH / ARD	kg	425 / 467	445 / 487	587 / 648	591 / 652	

All the data are at EUROVENT conditions with 400V/3+N/50Hz.

Cooling : Entering indoor coil temp. 27°C / 19°C WB and outdoor temperature 35°C - Heating : Entering indoor coil temp. 20°C and outdoor temperature 7°C / 6°C WB

(1) Add indoor fan motor consumption to know total heating capacity.

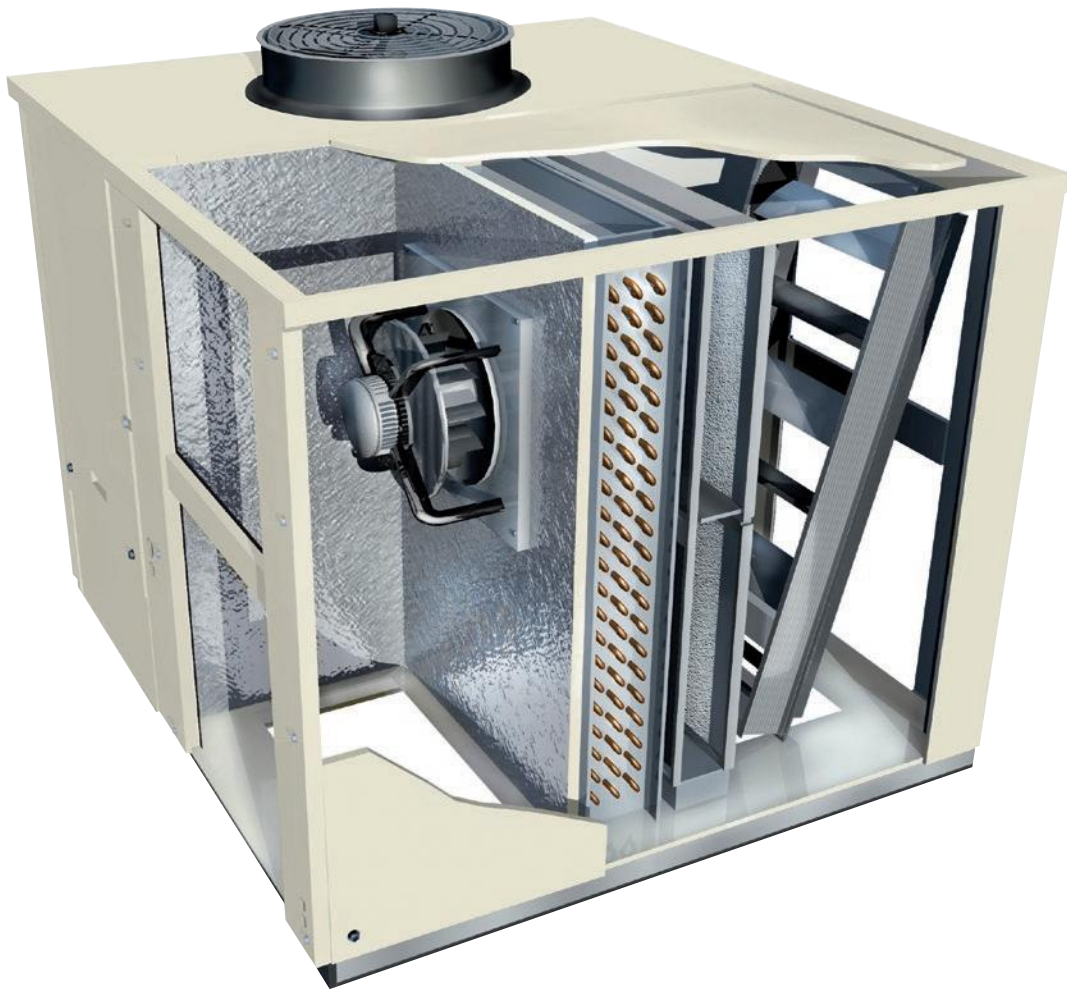
Codes

Cooling only models	ARC 017 AB	ARC 022 AB	ARC 032 AB	ARC 040 AB
	S661752110	S661752120	S661752130	S661752150
Heat pump models	ARH 017 BB	ARH 022 BB	ARH 032 AB	ARH 040 AB
	S661752513	S661752127	S661752133	S661752153
Cooling only + Gas heating models	ARG 017 AB	ARG 022 AB	ARG 032 AB	ARG 040 AB
	S661752111	S661752121	S661752131	S661752151
Heat pump + Gas heating models	ARD 017 BB	ARD 022 BB	ARD 032 AB	ARD 040 AB
	S661752118	S661752128	S661752132	S661752152
Thermostat				
to be ordered separately	DPC-1			



Manufacturer reserves the rights to change specifications without prior notice.

Activa rooftop details and features



High Efficiency

High efficiency compressor and fans managed by an smart control allows the unit to achieve and maintain the level of comfort required in the most efficient way, reducing therefore the energy bill.



Low Noise

Ultra quiet fans and optimized airflow reduces the noise level increasing the comfort. Compressors are mounted on shock absorbers and anti-vibration springs are available to avoid vibration transmissions into de building.



Easy Installation and Maintenance

The high level of usability of the control, the internal solutions adopted (like direct driven fans with variable speed) and the easy access to components simplify and reduce the need of external interventions. Full information on commissioning and maintenance plan are provided to help to ensure unit keeps running always in optimal conditions.



Compact Design

The refrigerant circuit layout has been redesigned and high efficiency exchangers been used to reduce the footprint and improve the transport and handling. Transition roofcurbs are available to fit in existing installations.

Accessories and options

	Code	Cooling only				Heat pump				Cooling + gas heating				Heat pump + gas heating			
		017	022	032	040	017	022	032	040	017	022	032	040	017	022	032	040
Thermostat DPC-1	S603786044	A	A	A	A	A	A	A	A	A	A	A	A	A	A	A	A
YNK2Open Gateway BACnet / IP - JCI Metasys N2	S606791244	A	A	A	A	A	A	A	A	A	A	A	A	A	A	A	A
YNK2Open Gateway Modbus TCP / IP - JCI Metasys N2	S606791245	A	A	A	A	A	A	A	A	A	A	A	A	A	A	A	A
Dry bulb triple input economizer or motorized air damper with rain hood	S611752301	O	O			O	O			O	O			O	O		
	S611752311			O	O			O	O			O	O			O	O
Enthalpy probes	S613990081	O	O	O	O	O	O	O	O	O	O	O	O	O	O	O	O
Indoor air quality sensor	S606819964	O/A	O/A	O/A	O/A	O/A	O/A	O/A	O/A	O/A	O/A	O/A	O/A	O/A	O/A	O/A	O/A
Power Exhaust	S611752302	A	A			A	A			A	A			A	A		
	S611752312			A	A			A	A			A	A			A	A
Barometric relief damper and rain hood	S611752472	A	A			A	A			A	A			A	A		
	S611752473			A	A			A	A			A	A			A	A
Fresh air damper and rain hood (2)	S611752303	A	A			A	A			A	A			A	A		
	S611752313			A	A			A	A			A	A			A	A
Low ambient kit	S611752381	O	O	O	O	O	O	O	O	O	O	O	O	O	O	O	O
Roofcurb adapter (3)	S611752886	A	A			A	A			A	A			A	A		
	S611752887			A	A			A	A			A	A			A	A
Fixed roof curb	S611752881	A	A			A	A			A	A			A	A		
	S611752882			A	A			A	A			A	A			A	A
Adjustable roof curb	S611752883	A	A			A	A			A	A			A	A		
	S611752884			A	A			A	A			A	A			A	A
Dirty filter switch	S613990085	O	O	O	O	O	O	O	O	O	O	O	O	O	O	O	O
Smoke detector	S613995382	O	O	O	O	O	O	O	O	O	O	O	O	O	O	O	O
Fire detection thermostat	S613903003	O	O	O	O	O	O	O	O	O	O	O	O	O	O	O	O
Hot water coil	S611752351	O	O			O	O										
	S611752352			O	O			O	O								
Electric heaters	16 kW	S611752516	O	O			O	O									
	16 kW	S611752616			O	O			O	O							
	25 kW	S611752525	O	O			O	O									
	25 kW	S611752625			O	O			O	O							
	37 kW	S611752537			O	O			O	O							
Propane conversion Kit	S611752780									A	A	A	A	A	A	A	A
Filter kit F6	S611752401	O	O			O	O			O	O			O	O		
	S611752402			O	O			O	O			O	O			O	O
Filter kit F7	S611752411	O	O			O	O			O	O			O	O		
	S611752412			O	O			O	O			O	O			O	O
Grill condenser coil protection	S611752451	O	O			O	O			O	O			O	O		
	S611752452			O	O			O	O			O	O			O	O
Antivibration mounting kit	S611752461	A	A	A	A	A	A	A	A	A	A	A	A	A	A	A	A
Energy recovery	S611752501	A	A			A	A			A	A			A	A		
	S611752511			A	A			A	A			A	A			A	A
Filter kit F6 for energy recovery	S611755506	O	O			O	O			O	O			O	O		
	S611755516			O	O			O	O			O	O			O	O
Filter kit F7 for energy recovery	S611752507	O	O			O	O			O	O			O	O		
	S611752517			O	O			O	O			O	O			O	O
Alarm relay board	S606791243	O/A	O/A	O/A	O/A	O/A	O/A	O/A	O/A	O/A	O/A	O/A	O/A	O/A	O/A	O/A	O/A
Copper-copper coil	Contact us	O	O	O	O	O	O	O	O	O	O	O	O	O	O	O	O

O=Option (factory fitted). A=Accessory (supplied loose). O/A=If you want this item factory fitted, precise it in the order form.

(1) Energy recovery accessory includes: economizer, rain hood, indoor air quality sensor and G4 filters.

(2) Fresh air damper can not be installed if economizer or motorized damper is fitted.

(3) Transition roofcurbs to fit in D_IC/D_IG/B_IG existing installations (090-150 kbtu/h).

ACTIVA ASR Rooftop

Cooling capacity from 49.6 kW up to 197.6 kW
Heating capacity from 50.7 kW up to 187.3 kW



This new generation of high efficiency rooftop units have been thought and designed to reach the Ecodesign 2021 threshold. It reaches the energy class A. The ACTIVA ASR units are available in cooling-only (L) or reversible (H) versions and with a wide range of options.

Features

- High efficiency EER and COP
- Ecodesign ErP 2021 compliant
- H version (Cooling and Heating) or L version (Cooling only)
- 2 independant circuits & frigorific insulated box
- Many air inlet/outlet configurations
- Double skin as standard
- AC/EC Plug Fans for supply and extract air
- Removable drain pan
- Leak detection according to BREEM standard

Options and Accessories

- EC plug fans
- Sides, Top or Bottom supply/return air
- 2 filters stage G4+F7/F9 (flat type)
- Hot water coil or Electric Heater
- Gas burner
- 2 Dampers mixing section / Freecooling / IAQ (indoor air quality control)
- Food Refrigeration Heat Recovery (FRECO)
- Return fan & 3 Dampers (RECO)
- Return fan & 3 Dampers & Heat Recovery (TRECO)

ACTIVA ASR Rooftop

ASR 50 to 190



Technical features

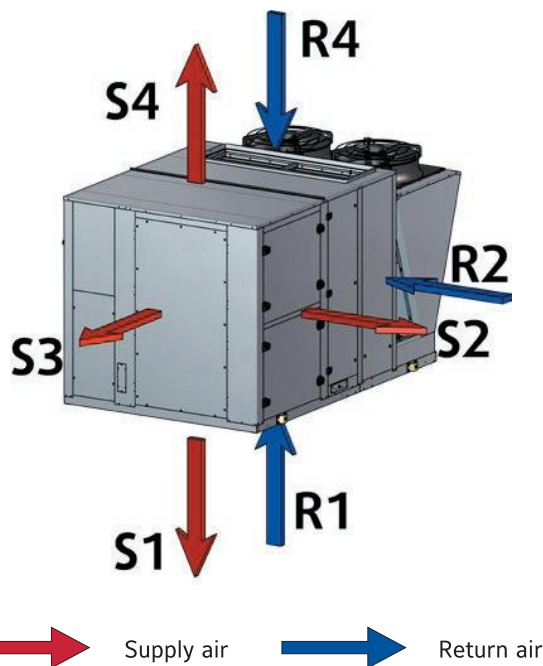
Cooling Only models		ASR 50 L	ASR 65 L	ASR 80 L	ASR 95 L	ASR 105 L	ASR 120 L	ASR 140 L	ASR 160 L	ASR 190 L	
Nominal cooling capacities	kW	49.57	62.81	78.99	95.13	111.08	119.87	142.09	164.98	197.06	
Power input in cooling	kW	15.81	19.46	23.23	30.66	33.56	37.10	47.09	51.19	60.61	
SEER (1)		3.57	3.58	3.74	3.54	3.66	3.57	3.52	3.91	3.94	
$\eta_{s,c}$ (1)		140	140	147	138	143	140	138	154	154	
Heat Pump models		ASR 50 H	ASR 65 H	ASR 80 H	ASR 95 H	ASR 105 H	ASR 120 H	ASR 140 H	ASR 160 H	ASR 190 H	
Nominal cooling capacities	kW	48.12	60.95	76.67	92.34	107.81	116.34	137.88	160.10	191.21	
Power input in cooling	kW	15.81	19.46	23.23	30.66	33.56	37.10	45.69	51.19	60.61	
SEER (1)		3.53	3.52	3.63	3.52	3.55	3.52	3.52	3.80	3.82	
$\eta_{s,c}$ (1)		138.15	138	142.23	138	139.17	138	138	148.92	149.82	
Heating capacities	kW	50.65	59.65	76.63	90.66	106.95	117.10	148.70	157.90	187.31	
Power input in heating	kW	14.81	17.49	21.77	26.59	30.38	34.14	42.85	46.17	54.29	
SCOP (2)		3.20	3.22	3.22	3.23	3.22	3.21	3.20	3.19	3.23	
$\eta_{s,h}$ (2)		125	126	126	126	126	125	125	125	126	
Common characteristics											
Nominal airflow rate	m ³ /h	9 720	11 500	15 500	17 500	19 200	21 580	25 500	28 000	30 000	
Nominal ESP	Pa	220	220	225	240	240	240	240	240	240	
Sound power level	dB(A)	81.5	85.0	82.0	83.0	85.4	87.4	91.3	90.5	91.5	
Refrigerant type		R410A									
Number of refrigerant circuits		2	2	2	2	2	2	2	2	2	
Compressor type		Scroll									
Number of compressors		2	2	2	2	2	2	2	4	4	
Step of capacity	%	0-50-100							0-25-50-75-100		
Glasswool thickness casing	mm	25	25	25	25	25	25	25	25	25	
Fire resistance		MO									
Weight standard unit	kg	1 085	1 155	1 225	1 470	1 685	1 805	1 855	2 350	2 555	

All the data are at EUROVENT conditions with 400V/3+N/50Hz.

Cooling : Entering indoor coil temp. 27°C / 19°C WB and outdoor temperature 35°C - Heating : Entering indoor coil temp. 20°C and outdoor temperature 7°C / 6°C WB

(1) According to EN 14511. (2) According to EN 14825.

Aeraulic configurations



Many possibilities of configurations for Supply and Return air

Supply air	S1. Down supply air *
	S2. Left supply air
	S3. Front supply air
	S4. Up supply air*
Return air	R1. Down return air
	R2. Left return air
	R4. Up return air **

* S1 and S4 configurations not available with the gas burner option

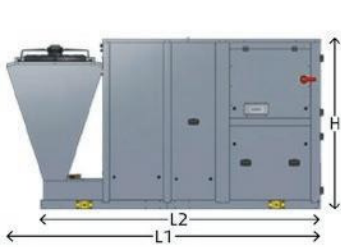
** R4 configuration not available with RECO and TRECO options



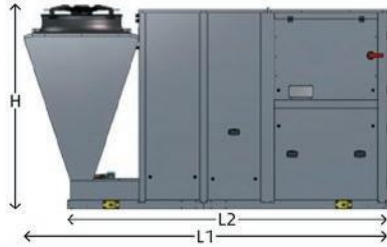
Manufacturer reserves the rights to change specifications without prior notice.

Dimensions and Weights

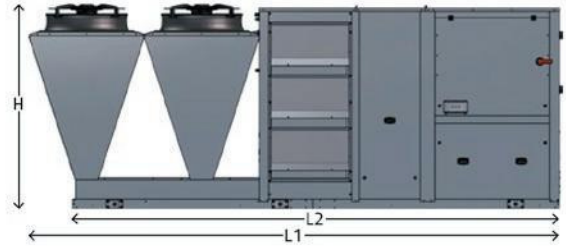
ASR 50-80



ASR 95-140



ASR 160-190



Dimensions

ASR models - Standard unit		50	65	80	95	105	120	140	160	190
(L1) Overall length	mm	3 250	3 250	3 250	3 760	3 760	3 760	3 760	5 450	5 450
(L2) Base frame length	mm	2 895	2 895	2 895	3 310	3 310	3 310	3 310	5 000	5 000
Width	mm	2 030	2 030	2 030	2 285	2 285	2 285	2 285	2 285	2 285
(H) Height	mm	1 800	1 800	1 800	2 110	2 110	2 110	2 110	2 110	2 110
ASR models - 3 Dampers		50	65	80	95	105	120	140	160	190
(L1) Overall length	mm	3 880	3 880	3 880	4 430	4 430	4 430	4 430	5 930	5 930
(L2) Base frame length	mm	3 525	3 525	3 525	3 980	3 980	3 980	3 980	5 480	5 480
Width	mm	2 030	2 030	2 030	2 285	2 285	2 285	2 285	2 285	2 285
(H) Height	mm	1 800	1 800	1 800	2 110	2 110	2 110	2 110	2 110	2 110
ASR models - Gas burner		50	65	80	95	105	120	140	160	190
(L1) Overall length	mm	3 250	3 250	3 250	3 760	3 760	3 760	3 760	5 950	5 950
(L2) Base frame length	mm	2 895	2 895	2 895	3 310	3 310	3 310	3 310	5 500	5 500
Width	mm	2 030	2 030	2 030	2 285	2 285	2 285	2 285	2 285	2 285
(H) Height	mm	1 800	1 800	1 800	2 110	2 110	2 110	2 110	2 110	2 110
ASR models - 3 Dampers + gas burner		50	65	80	95	105	120	140	160	190
(L1) Overall length	mm	3 880	3 880	3 880	4 430	4 430	4 430	4 430	6 430	6 430
(L2) Base frame length	mm	3 525	3 525	3 525	3 980	3 980	3 980	3 980	5 980	5 980
Width	mm	2 030	2 030	2 030	2 285	2 285	2 285	2 285	2 285	2 285
(H) Height	mm	1 800	1 800	1 800	2 110	2 110	2 110	2 110	2 110	2 110

Weights

ASR models - Standard unit		50	65	80	95	105	120	140	160	190
Unit weight	kg	1 085	1 155	1 225	1 470	1 685	1 805	1 855	2 350	2 555
Filters	G4	kg	30	30	30	45	45	45	45	45
	G4 + F7	kg	40	40	40	65	65	65	65	65
	G4 + F9	kg	40	40	40	65	65	65	65	65
2 Dampers	kg	95	95	95	115	115	115	115	165	165
3 Dampers RECO	kg	375	385	415	430	430	450	450	515	515
TRECO	kg	125	125	125	165	165	165	165	215	215
FRECO	kg	25	25	25	30	30	30	30	30	30
Electric heater	kg	25	25	25	30	30	30	30	50	50
Hot water coil	kg	25	25	25	30	30	30	30	30	30
Gas Burner	kg	65	80	80	105	105	105	105	460	460

Energy recovery systems

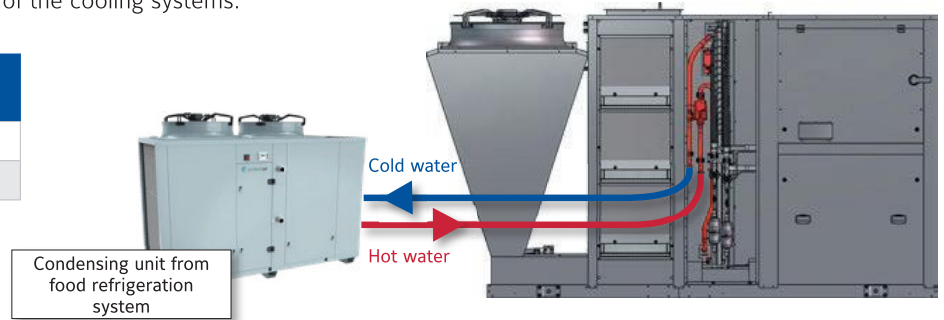
FRECO - Food refrigeration energy RECOvery

In supermarkets, FRECO technology allows our rooftop units to recover the heat generated out from the condensers of the cooling systems.

🔥 Heating mode

	Additional heating capacity
Mixed air $T^\circ = 20^\circ\text{C}$	+60%
Mixed air $T^\circ = 0^\circ\text{C}$	+130%

Water +30% Glycol 45/40°C



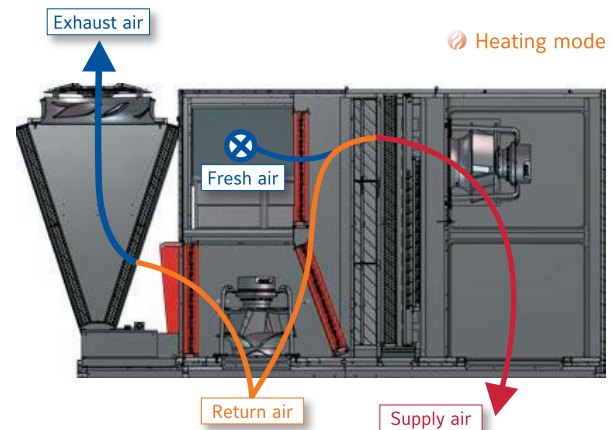
RECO - Standard energy RECOvery (3 Dampers)

Energy recovery on the exhaust air.

🔥 Heating mode

	Pc	EER	Ph	COP
3 dampers + RECO 30% fresh air	+1%	+2%	+7%	+4%
3 dampers + RECO 60% fresh air	+2%	+4%	+14%	+8%

According to Eurovent conditions



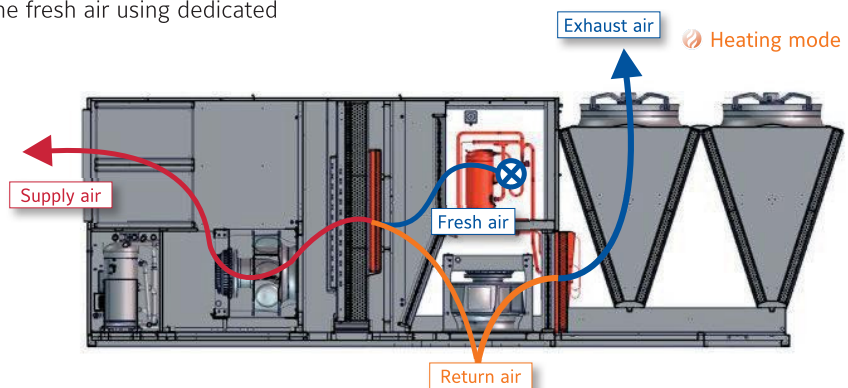
TRECO - Thermodynamic energy RECOvery (3 Dampers)

Active energy recovery between the exhaust air and the fresh air using dedicated thermodynamic system.

🔥 Heating mode

	Pc	EER	Ph	COP
3 dampers + TRECO 20% fresh air	+21%	0%	+20%	+3%
3 dampers + TRECO 60% fresh air	+20%	-2%	+21%	+4%

According to Eurovent conditions



Large ACTIVA Rooftop

ARC-ARH 100 to 175 AB

A complete range from 108 kW up to 169 kW

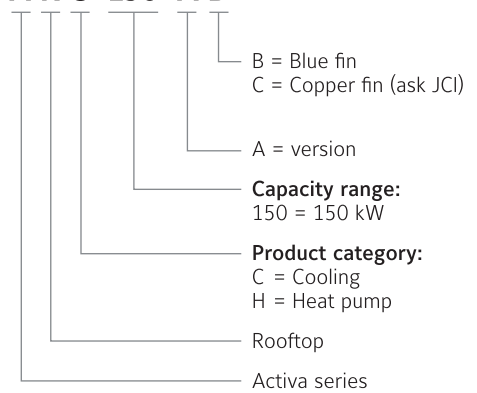


YKN2open

Features

- High efficiency EER and COP
- Ecodesign ErP 2021 compliant
- Quiet operation
- Configurations: Cooling only and Heating
- BMS communication as standard (N2Open protocol)
- Partial loads
- Extended working range (up to 52°C outdoor temperature)
- F6 & F7 filters available as option (G4 standard)
- Energy recovery (ask JCI for availability)

ARC 150 AB Nomenclature



Large ACTIVA Rooftop

ARC-ARH 100 to 175 AB



Technical features

Cooling only models		ARC 100 AB	ARC 125 AB	ARC 150 AB	ARC 175 AB	
Net cooling capacities	kW	108.1	121.8	149.3	169.0	
Power input	kW	34	41	59	64	
SEER		4.95	4.58	3.72	3.53	
$\eta_{s,c}$		195.0	180.1	145.7	138	
Working range (full load / partial load) *	°C	7°C ~ 46°C / -10°C ~ 52°C				
Heat pump models		ARH 100 AB	ARH 125 AB	ARH 150 AB	ARH 175 AB	
Net cooling capacities	kW	108.1	121.8	149.3	169.0	
Power input in cooling	kW	34	41	59	64	
Heating capacities (1)	kW	104.6	118.4	147.0	167.0	
Power input in heating	kW	33	37	53	61	
SCOP		3.58	3.44	3.44	3.44	
$\eta_{s,h}$		140.2	134.5	134.6	134.5	
Working range (full load / partial load) *	°C	-10°C ~ 46°C / -10°C ~ 52°C				
Common characteristics						
Power supply		400V / 3 / 50Hz				
Main switch	A	100	125	160	200	
Main cable	Nbr. x mm ²	3 x 35	3 x 50	3 x 50	3 x 70	
Cable to thermostat	Nbr. x mm ²	10 x 0,22				
Number of circuits / Compressor type		2 (tandem) / 4 x scroll				
Evaporator fan at nominal airflow	Airflow	m ³ /h	19 000	21 000	27 000	31 000
	Power input	kW	3.0	3.3	8.3	9.1
Nett dimensions	Height	mm	2 142		2 142	
	Length	mm	4 036		5 085	
	Depth	mm	2 250		2 250	
Nett weight ARC	kg	1 737	1 744	2 074	2 090	
Nett weight ARH	kg	1 765	1 772	2 135	2 150	

All the data are at EUROVENT conditions with 400V/3+N/50Hz.

Cooling : Entering indoor coil temp. 27°C / 19°C WB and outdoor temperature 35°C - Heating : Entering indoor coil temp. 20°C and outdoor temperature 7°C / 6°C WB

(1) Add indoor fan motor consumption to know total heating capacity.

* With Premium kit (full load / partial load): -10°C ~ 50°C / -10°C ~ 52°C

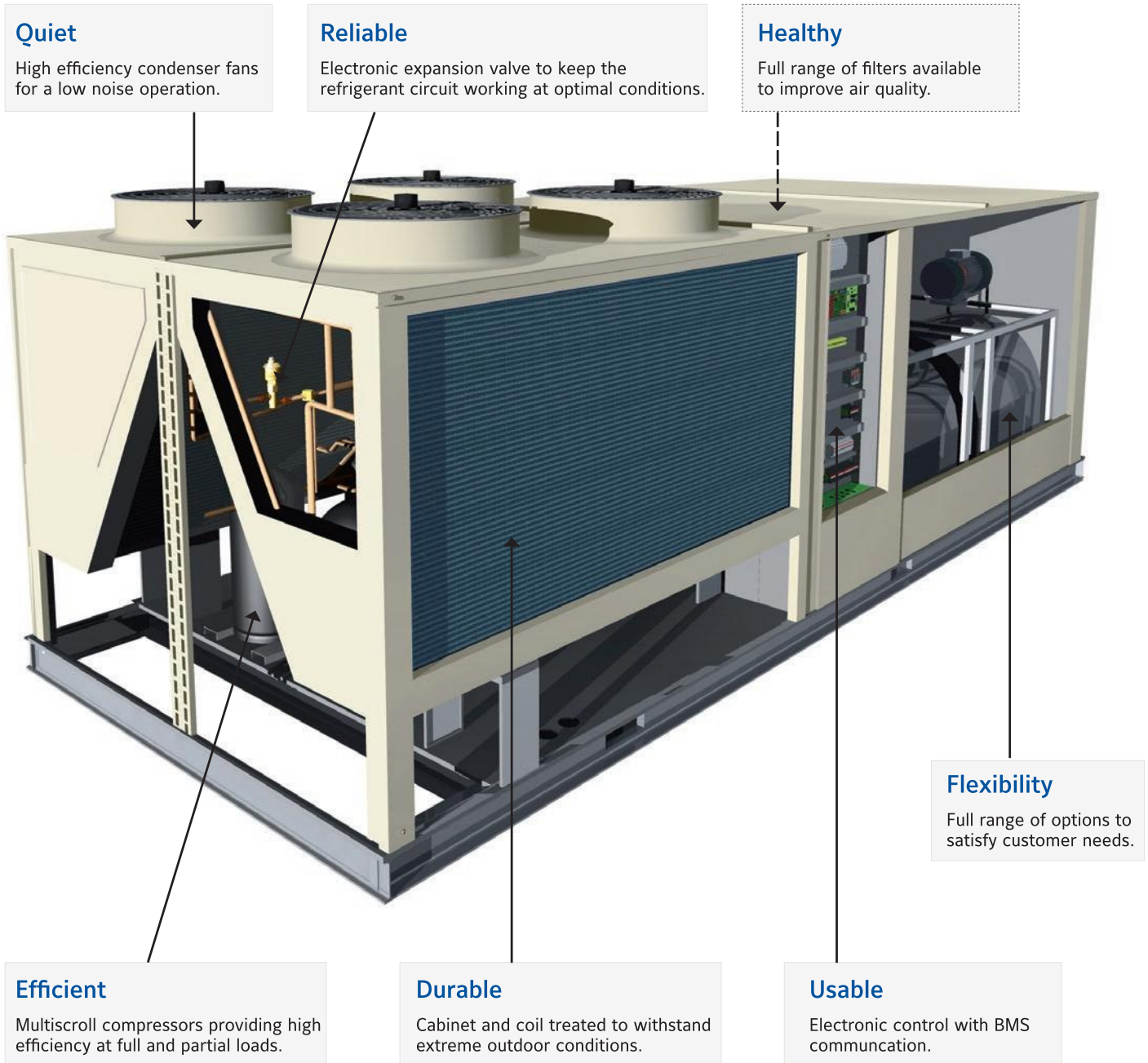
Codes

Cooling only models	ARC 100 AB	ARC 125 AB	ARC 150 AB	ARC 175 AB
	S661852400	S661852420	S661852450	S661852480
Heat pump models	ARH 100 AB	ARH 125 AB	ARH 150 AB	ARH 175 AB
	S661852403	S661852423	S661852453	S661852483
Thermostat				
to be ordered separately	DPC-1			



Manufacturer reserves the rights to change specifications without prior notice.

Large Activa rooftop details



Accessories and options

	Code	Cooling only				Heat pump			
		100	125	150	175	100	125	150	175
Thermostat DPC-1	S603786044	A	A	A	A	A	A	A	A
YNK2Open Gateway BACnet / IP - JCI Metasys N2	S606791244	A	A	A	A	A	A	A	A
YNK2Open Gateway Modbus TCP / IP - JCI Metasys N2	S606791245	A	A	A	A	A	A	A	A
Dry bulb triple input economizer or motorized air damper with rain hood	S611751011	O	O			O	O		
	S611751511			O	O			O	O
Enthalpy probes	S613990081	O	O	O	O	O	O	O	O
Indoor air quality sensor	S606819964	O/A	O/A	O/A	O/A	O/A	O/A	O/A	O/A
Power Exhaust	S611751021	A	A			A	A		
	S611751521			A	A			A	A
Barometric relief damper	S611751031	A	A			A	A		
	S611751531			A	A			A	A
Fresh air damper	S613751021	A	A			A	A		
	S613751521			A	A			A	A
High pressure drive	7.5 kW (IE3)	S611751091	O	O			O	O	
	11 kW (IE3)	S611751093	O	O			O	O	
	5.5 kW (IE3)	S611751591			O				O
	7.5 kW (IE3)	S611751592			O	O			O
Side duct supply	S611751061	O	O			O	O		
	S611751561			O	O			O	O
Soft start indoor fan	5.5 kW	S606744690	O	O	O	O	O	O	O
	11.5 kW	S606744691	O	O	O	O	O	O	O
Premium Kit (LAK included) *	S611751071	O	O	O	O	O	O	O	O
Fixed roof curb	S611751081	A	A			A	A		
	S611751581			A	A			A	A
Adjustable roof curb	S611751082	A	A			A	A		
	S611751582			A	A			A	A
Dirty filter switch	S613990085	O	O	O	O	O	O	O	O
Smoke detector	S613995382	O	O	O	O	O	O	O	O
Fire detection thermostat	S613903003	O	O	O	O	O	O	O	O
Hot water coil	S611751051	O	O			O	O		
	S611751551			O	O			O	O
Electric heaters	37 kW	S611751037	O	O	O	O	O	O	O
	50 kW	S611751050	O	O	O	O	O	O	O
	60 kW	S611751060	O	O	O	O	O	O	O
Filter kit F6	S611751046	O	O			O	O		
	S611751546			O	O			O	O
Filter kit F7	S611751047	O	O			O	O		
	S611751547			O	O			O	O
Grill condenser coil protection	S611751041	O	O			O	O		
	S611751541			O	O			O	O
Antivibration mounting kit 100/125	S613751011	O	O			O	O		
Antivibration mounting kit 150/175	S613751511			O	O			O	O
Alarm relay board	S606791243	O/A	O/A	O/A	O/A	O/A	O/A	O/A	O/A
Copper-copper coil	Contact us	O	O	O	O	O	O	O	O

O=Option (factory fitted). A=Accessory (supplied loose). O/A=If you want this item factory fitted, precise it in the order form.

(1) = Energy recovery accessory includes: economizer, rain hood, indoor air quality sensor and G4 filters.

* Features: increased efficiency by 0.15, extended max outdoor temperature up to +50°C at full load, Low ambient kit.